

# Grids-Adapters Flush Wall VMGE

---

## VMGE SERIES FLUSH WALL GRID-ADAPTERS

---




---

## CARATTERISTICHE

---

Flush-to-wall adapters, customizable, for external air intake/exhaust, with coarse anti-insect mesh.

**Material of construction:**

- White model: galvanized steel thick. 10/10;
- Stainless model: thick stainless steel. 10/10;

**Color:**

- White model: light white RAL9010;
- Stainless model: stainless steel;

**Filter:**

G3-class polyester filter available;

**Main features:**

- possibility of filling the screen with the same material in the walls (concrete, tile, wood, etc... ) to be then installed perfectly flush [customization];
- Easily opened for cleaning;

**Methods of fixing flat screen:**

To magnets (no. 4 supplied). The flat screen is not used in the case of customization.

**Methods of wall mounting:**

Wall-mountable (frame depth: 85 mm).

**Adapter sizes:**

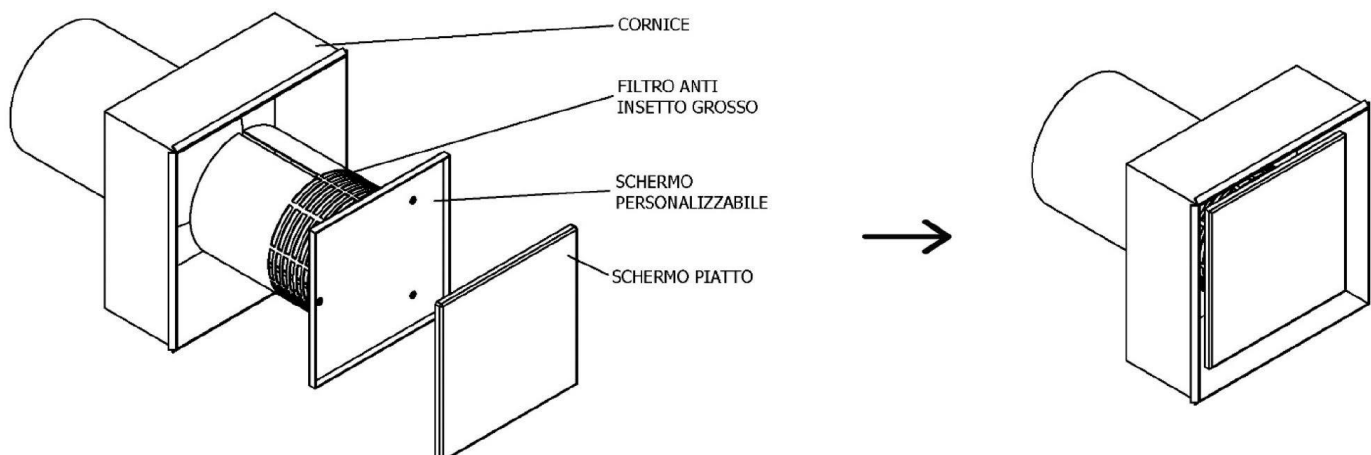
Available in versions for Ø125 (VMGE125) and Ø160/180 (VMGE1618) pipe.

---

## AXONOMETRIC DRAWING WITH EXPLODED VIEW

---

Axonometry of an adapter mod. VMGE---



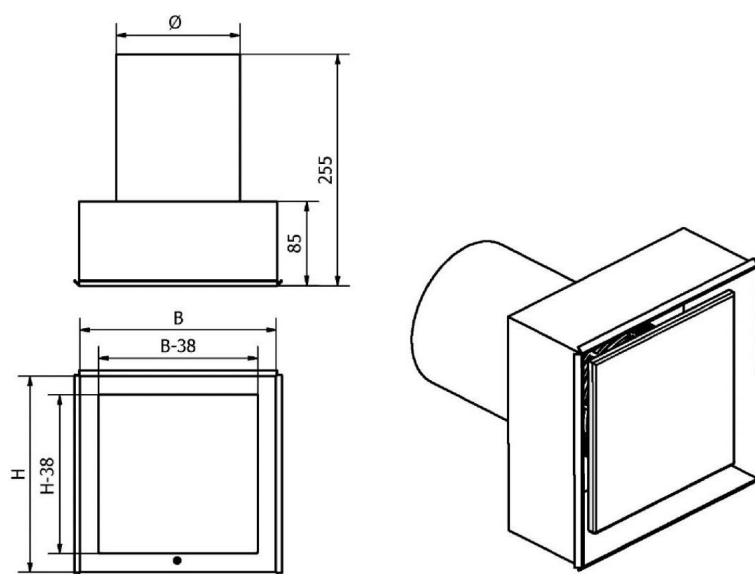
**TECHNICAL SPECIFICATIONS**

Code	COLOR	FRAME MEASURES BXH (mm)	Ø (mm)	Effective area (m <sup>2</sup> )	Flow rate (m <sup>3</sup> /h) with v = 1 m/s	Flow rate (m <sup>3</sup> /h) with v = 2 m/s	Flow rate (m <sup>3</sup> /h) with v = 3 m/s
VMGE125B	white	200x200	125	0.0130	47	93	140
VMGE125I	INOX						
VMGE1618B	white	400x200	160/180	0.0250	90	179	269
VMGE1618I	INOX						

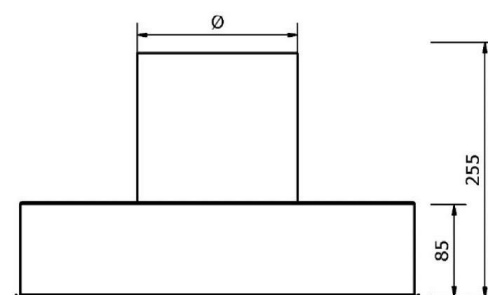
**DRAWING DIMENSIONAL**

Drawing (measurements in mm) and axonometry of an adapter mod. VMGE125 and mod. VMGE1618

**VMGE125-**



**VMGE1618**



REV 09/2024